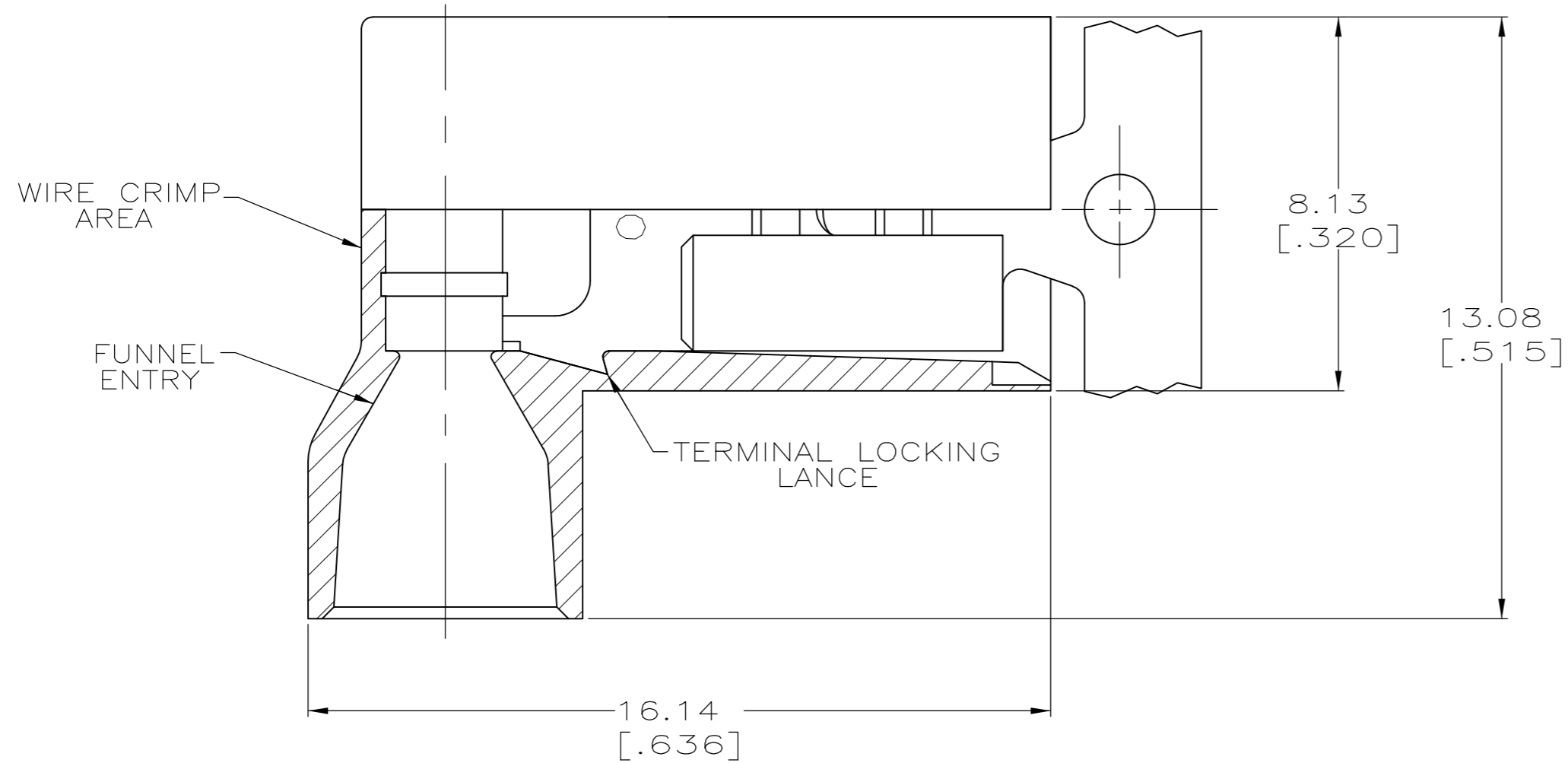
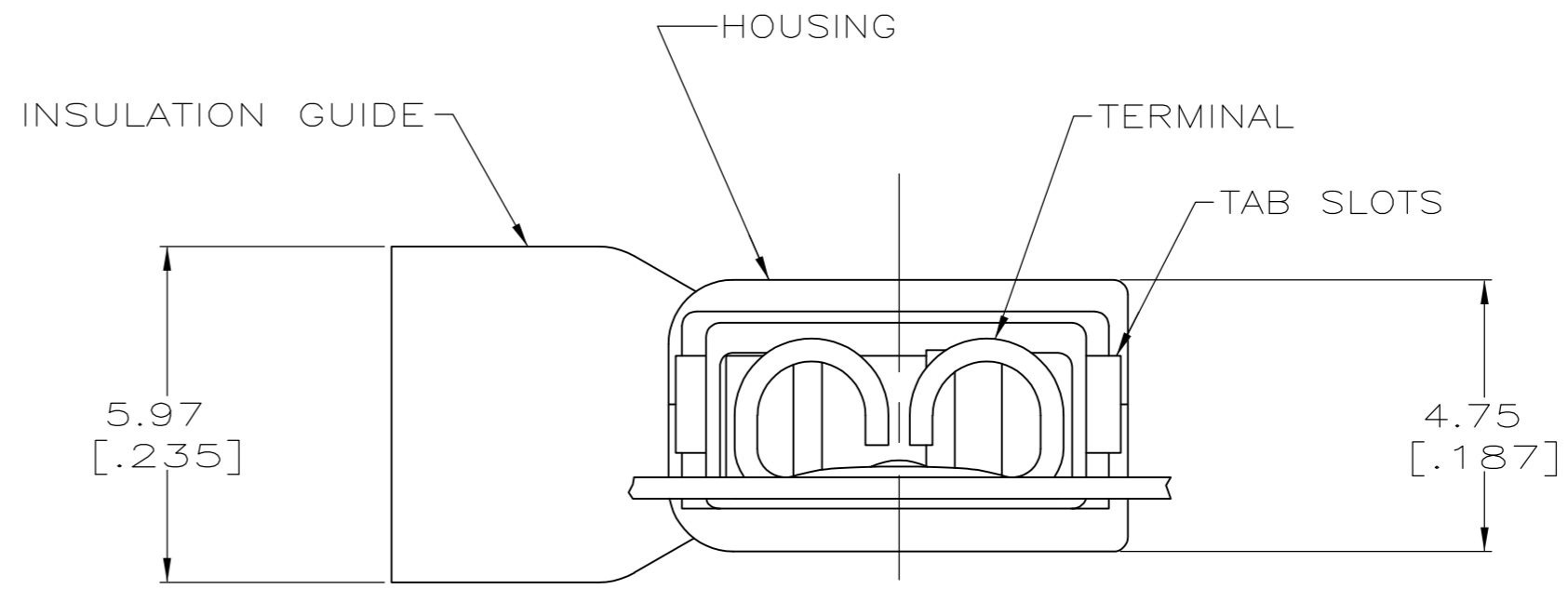
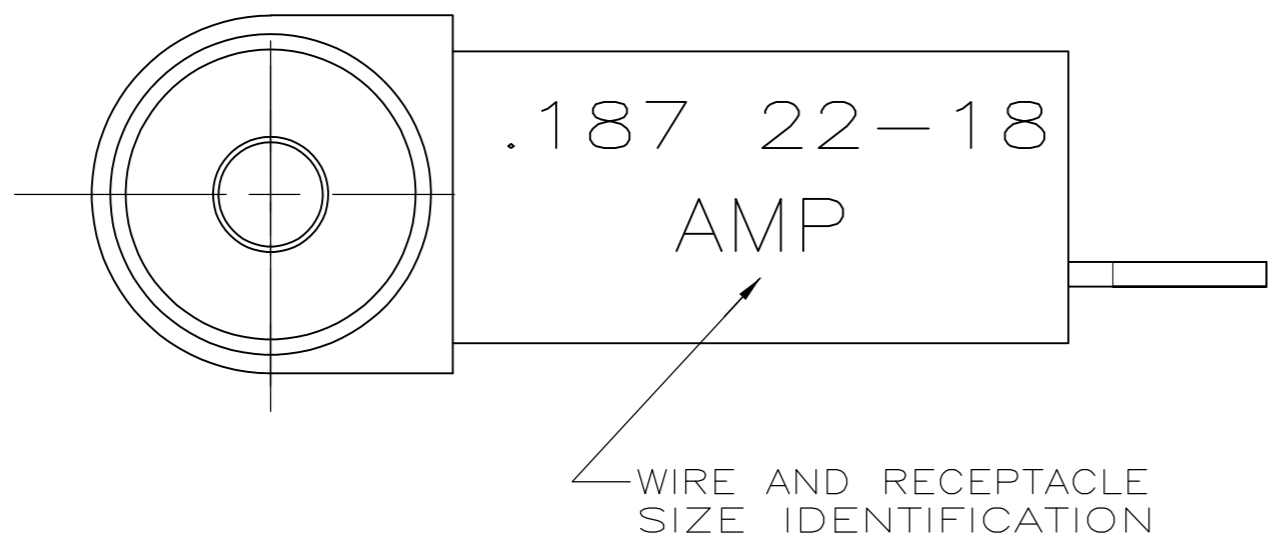


THIS DRAWING IS UNPUBLISHED. RELEASED FOR PUBLICATION
 © COPYRIGHT - By - ALL RIGHTS RESERVED.

LOC		DIST		REVISIONS			
P	LTR	DESCRIPTION		DATE	DWN	APVD	
AF	50	N		REVISED PER ECR-13-004343	30JUL13	KH	KR



- 1 FITS 0.51±0.025 X 4.75 [.020±.001 X .187] TAB
- 2 WIRE SIZE: 0.3-0.9mm² [22-18 AWG], STRANDED ONLY. STRIP LENGTH 7.14 [.281]
- 3 INSULATION SIZE: 4.19 [.165] MAX DIA.
- 4 CONTINUOUS STRIP.



BULK	TYPE 6/6 NYLON	RED TRANSLUCENT BLACK TRANSLUCENT RED TRANSLUCENT	BRASS	TIN	5-520334-2		
STANDARD					9-520334-2		
PACKAGING	MATERIAL	COLOR	MATERIAL	FINISH	2-520334-2		
HOUSING		TERMINAL			PART NUMBER		
THIS DRAWING IS A CONTROLLED DOCUMENT.		DWN P FORTNEY 8/6/90					
DIMENSIONS: mm [INCHES]		CHK MS FEHER 8/8/90					
TOLERANCES UNLESS OTHERWISE SPECIFIED:		APVD B BRATINA 8/9/90					
0 PLC ± - 1 PLC ± - 2 PLC ± 0.38 [.015] 3 PLC ± - 4 PLC ± - ANGLES ± -		NAME 108-2043 APPLICATION SPEC 114-2123					
MATERIAL	SEE TABLE	FINISH	WEIGHT	SIZE	CAGE CODE	DRAWING NO	RESTRICTED TO
		SEE TABLE	-	A2	00779	C=520334	-
CUSTOMER DRAWING			SCALE	SHEET	REV		
			8:1	1 of 1	N		